



Arpool M

Specification Sheet



UL STD 676 swimming pool rated
CSA C22.2#89 swimming pool rated
IP68

LUMINAIRE FEATURES

Design and Application

- Installation depth max. up to 3m (10')
- Max tile thickness 25mm (1")
- Trim flange overlap 10mm (0,4")
- DMX, DALI, 0-10V compatible (remote)
- Wall and stairs installation
- Small and medium pools
- Fountains and water features

Performance

- IK10, Tempered glass, crystal clear
- Chlorine and saline environment
- Stainless Steel type 316L, marine grade
- Galvanic current protection (installation housing)
- Thermal fold back technology
- LED Lifetime TM-21 @ 105°C
L80(24K) = 145,000 hours
- Supplied with oil and water resistant
3m (10') feed cable as standard
- CRI: > 85
- 3 Step MacAdam

Safety

- Remote power supply
- Low voltage operation
- Recessed installation

Sustainability

- Recyclable material

Installation housing

- FAM382 - Concrete Pool Installation
- FAM382SP - Stainless Steel Pool Installation
- FAM382LN - Liner Pool Installation

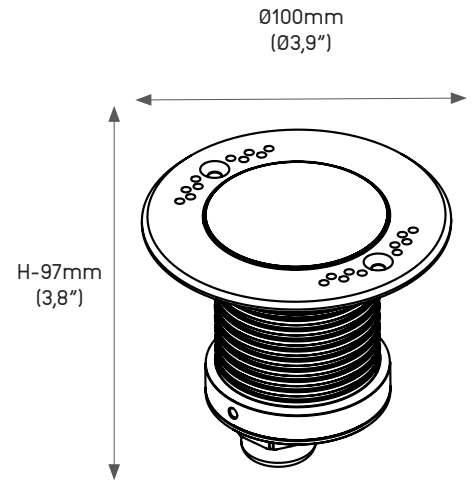
Accessories

- 203131 - Socket wrench for cable gland

Power supplies

- List of proposed power supplies that are to be ordered separately.
- Click [here](#) for list of available drivers.
- Click [here](#) for voltage drop and distances.

TRIM (TM)



Click [here](#) to download fixture installation manual.
Click [here](#) to download housing installation manual.
Click [here](#) to download CAD file.
Click [here](#) to download IES-LTD data.

Note

Underwater luminaire – must be constantly submersed.



Arpool M

ORDERING INFORMATION

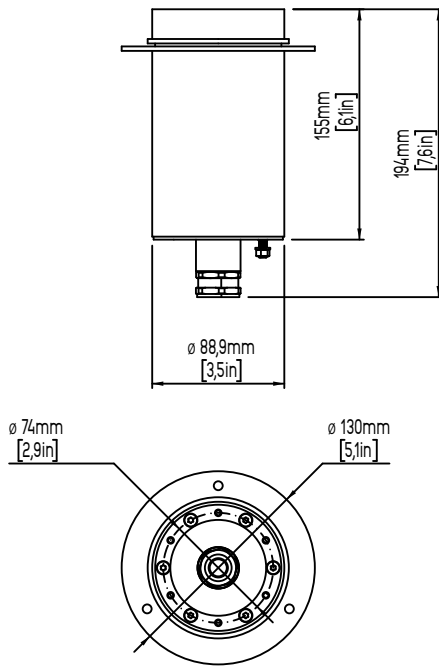
MODEL	
FAM	
APPLICATION	
TM	<ul style="list-style-type: none">• TM - Ø100mm x 97mm (Ø3,9" x 3,9")
POWER	
L	<ul style="list-style-type: none">• L - 9W, 3000/4000K, 600 lm
H	<ul style="list-style-type: none">• H - 15W, 3000/4000K, 1000lm• H - 15W, RGBW (W 4000K)
COLOR TEMP.	
27	<ul style="list-style-type: none">• 27 - 2700K
30	<ul style="list-style-type: none">• 30 - 3000K
40	<ul style="list-style-type: none">• 40 - 4000K
RGBW	<ul style="list-style-type: none">• RGBW (W 4000K)
TW	<ul style="list-style-type: none">• TW - Tunable white 2200K-4000K
OPTICS	
SP	<ul style="list-style-type: none">• SP - Spot - 15°
FL	<ul style="list-style-type: none">• FL - Flood - 40°
W	<ul style="list-style-type: none">• W - Wide - 70°
SPX	<ul style="list-style-type: none">• SPX - Spot - 15° + Hex
FLX	<ul style="list-style-type: none">• FLX - Flood - 40° + Hex
WX	<ul style="list-style-type: none">• WX - Wide - 70° + Hex
VOLTAGE	
12	<ul style="list-style-type: none">• 12 - 12VDC fixture voltage
24	<ul style="list-style-type: none">• 24 - 24VDC fixture voltage
OPTIONS	
3	<ul style="list-style-type: none">• 3* - standard feed cable 3m (10')
6	<ul style="list-style-type: none">• 6 - luminaire supplied with 6m (20') feed cable
9	<ul style="list-style-type: none">• 9 - luminaire supplied with 9m (30') feed cable
20	<ul style="list-style-type: none">• 20 - luminaire supplied with 20m (65') feed cable
GLARE CONTROL	
1	<ul style="list-style-type: none">• 1 - Half Moon



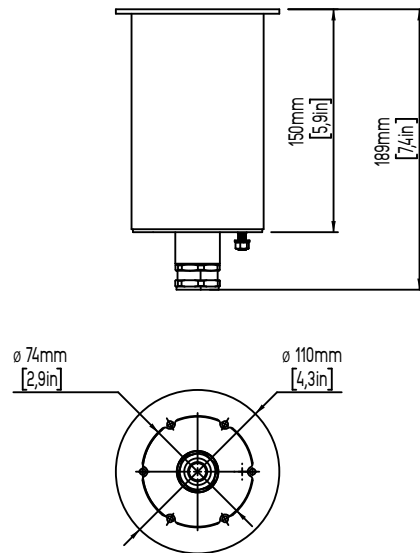
Arpool M

HOUSING

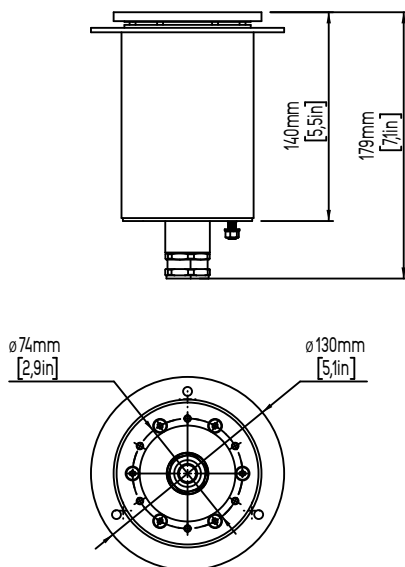
FAM382 - Concrete Pool Installation



FAM382SP - Stainless Steel Pool Installation



FAM382LN - Liner Pool Installation



Note:
For details on specific depths, tiling thickness and other please refer to both Installation instructions for fixture and housing.