



SQP100 Paver

Specification Sheet



UL STD 1598
IP67

LUMINAIRE FEATURES

Design and Application

- Architectural and landscape lighting
- Recessed floor installation
- Gravel, soil or concrete installation
- UL STD 1598, IP67, Wet location, drive over rated 1500 kg (3300lb)

Performance

- IK10, Tempered glass, frosted
- Aluminium construction fixture body
- Stainless steel type 304 flange
- Snap in installation with no exposed hardware
- Lifetime TM-21 @85C L70(10K)>60000
- Supplied with oil and water resistant 0,3m (1') feed cable as standard
- CRI: > 85
- 2 Step MacAdam

Safety

- Remote power supply
- Low voltage operation
- Recessed installation

Sustainability

- Recyclable material

Installation housing

- SQ100C - Trim
- SQ100T - Trimless

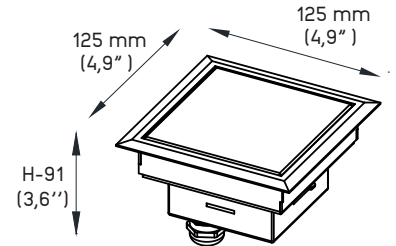
Accessories

- 203064 - Removal tool

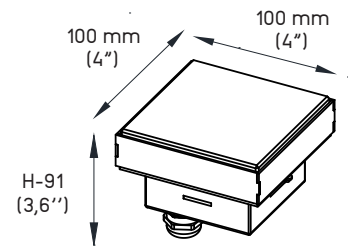
Power supplies

- List of proposed power supplies that are to be ordered separately.
- Click [here](#) for list of available drivers.
- Click [here](#) for voltage drop and distances.

Trim (TM)



Trimless(TS)



Click [here](#) to download fixture installation manual.
Click [here](#) to download housing installation manual.
Click [here](#) to download CAD file.
Click [here](#) to download IES-LTD data.



SQP100 Paver

ORDERING INFORMATION

MODEL

FSQP100

INSTALLATION

TM

- Trim (TM)

TS

- Trimless (TS)

POWER

L

- L - 2,9W, 2700K - 3000K, 65 lm

H

- H - 4,8W, 2700K - 3000K, 115 lm
- H - 7,2W RGBW (W 3000K)

COLOR TEMP.

27

- 27 - 2700K

30

- 30 - 3000K

RGBW

- RGBW (W 3000K)

OPTICS

LL

- LL - 120° even illumination

VOLTAGE

24

- 24 - 24 VDC fixture voltage

OPTIONS

3

- 3 - luminaire supplied with 3m (10') feed cable

6

- 6 - luminaire supplied with 6m (20') feed cable

9

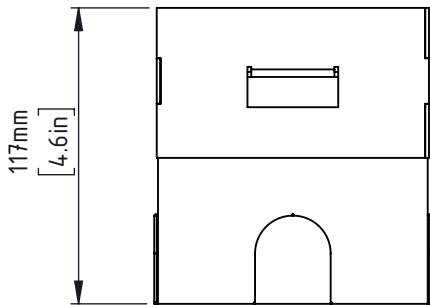
- 9 - luminaire supplied with 9m (30') feed cable



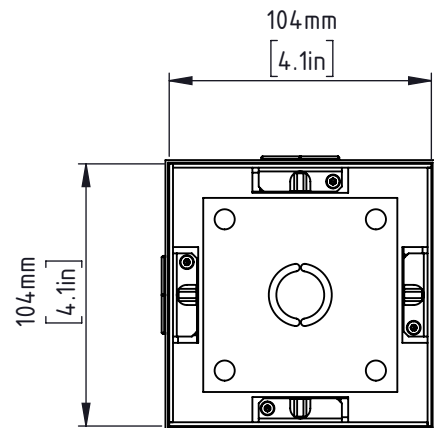
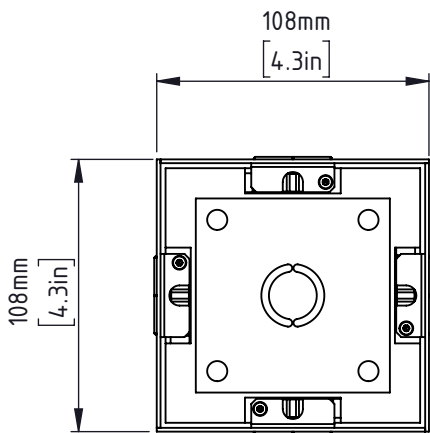
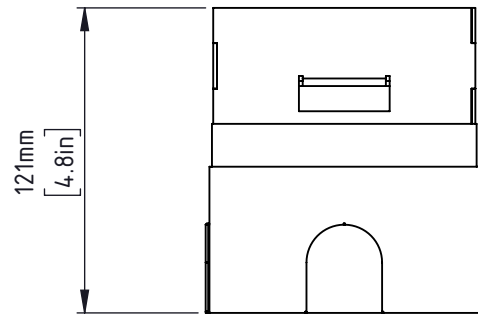
SQP100 Paver

INSTALLATION DETAILS

Installation housing - SQ100C - Trim installation



Installation housing - SQ100T - Trimless installation



Note:
For details on specific depths, tiling thickness and other please refer to both Installation instructions for fixture and housing.