



Snake Deco

Specification Sheet



UL STD 1598
IP67

LUMINAIRE FEATURES

Design and Application

- Architectural and landscape lighting
- Recessed floor installation
- Gravel, soil or concrete
- UL STD 1598, IP67, Wet location, drive over rated 1500 kg (3300lb)

Performance

- Continuous run
- Radius, min R 314mm (12.4")
- Tempered glass 2x8mm (0.3") thick
- Stainless steel type 304 construction
- Direct concrete pour ABS installation housing
- Snap in installation with no exposed hardware
- Galvanic current protection (installation housing)
- Lifetime TM-21 @85C L90(9K)=60500h
- Supplied with oil and water resistant 0.18m (7") feed cable as standard
- CRI: > 85
- 3 Step MacAdam

Safety

- Remote power supply
- Low voltage operation
- Recessed installation

Sustainability

- Recyclable material

Installation housing

- SN335

Cable options IP67 connectors

Jumper Cable

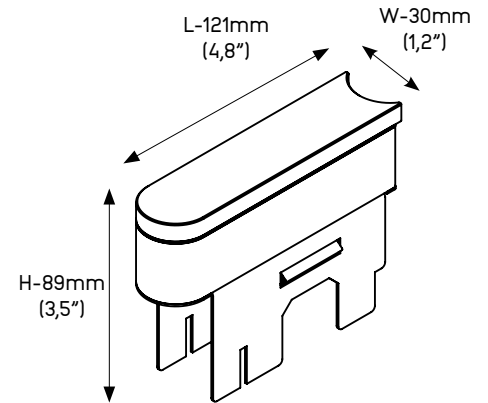
- 104367 - L= 1m (3,3') single color

Lead Cable

- 104068 - L= 1m (3,3') single color
- 104891 - ENDCAP M12X1,5 MALE

Power supplies

- List of proposed power supplies that are to be ordered separately.
- Click [here](#) for list of available drivers.
- Click [here](#) for voltage drop and distances.



Click [here](#) to download fixture installation manual.
Click [here](#) to download housing installation manual.
Click [here](#) to download CAD file.
Click [here](#) to download IES-LTD data.



Snake Deco

ORDERING INFORMATION

MODEL	
FSND	
LENGTH	
5	• 121mm (4,8")
POWER	
H	• H - 2.3W, 2700K - 3000K, 350lm
COLOR TEMP.	
27	• 27 - 2700K
30	• 30 - 3000K
OPTICS	
SP	• SP - Spot - 17°
FL	• FL - Flood - 31°
VOLTAGE	
24	• 24 - 24VDC fixture voltage

*Min order quantity 9pcs

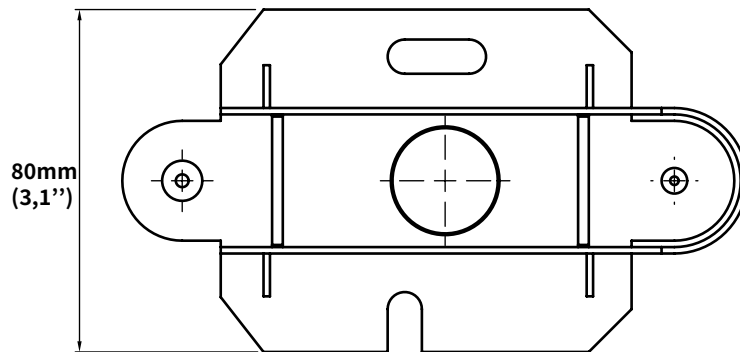
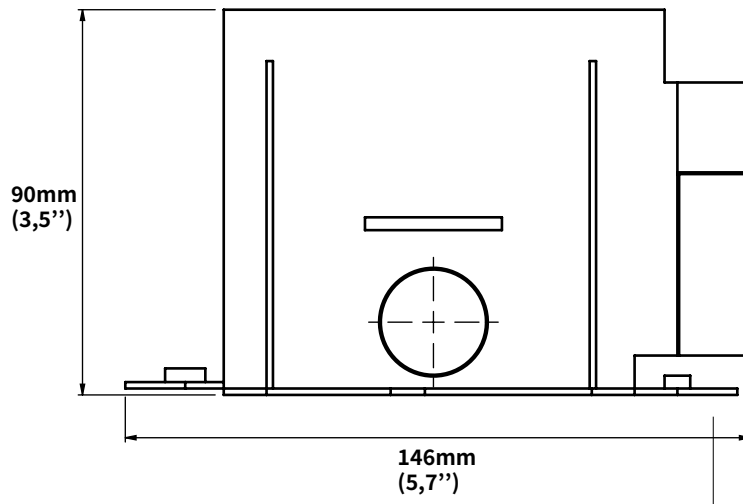
*Max run from single feed 7m (23')



Snake Deco

INSTALLATION DETAILS

Installation housing - SN335



Note:
For details on specific depths, tiling thickness and other please refer to both Installation instructions for fixture and housing.