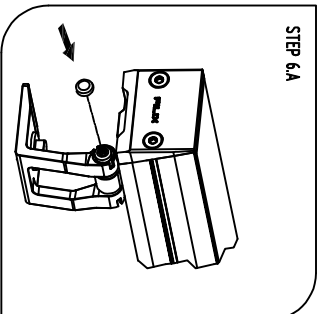
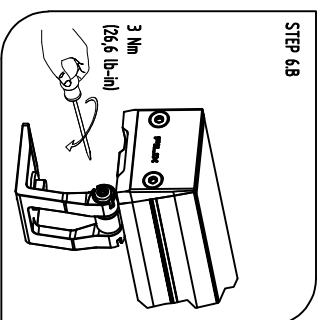


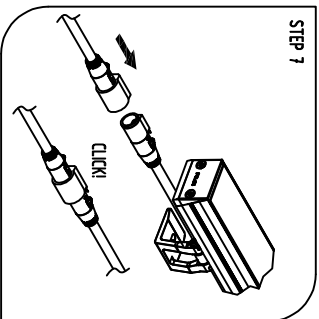
STEP 5



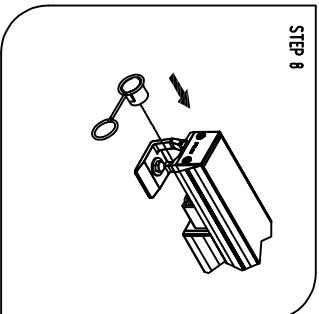
STEP 6A



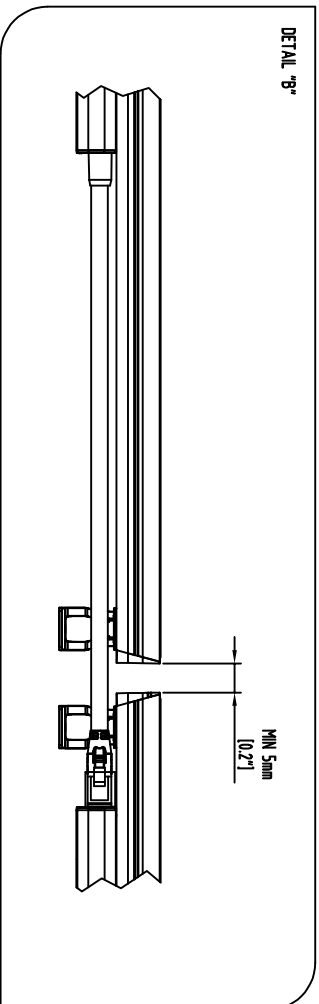
STEP 6B



STEP 7

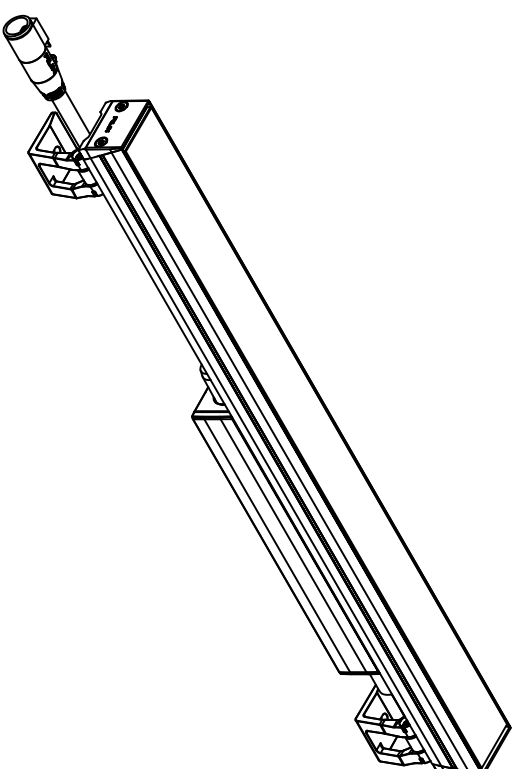


STEP 8



DETAIL "B"

HEMERA HECTO
INSTALLATION INSTRUCTIONS (FIXTURE)



230 VAC
50 Hz



IP66/IP67

AL6060

Ta 1 50°C

IK7/IK0*

ALL DIMENSIONS ARE GIVEN ACCORDING TO THE SI SYSTEM OF UNITS (MM, KG, °C), ADDITIONAL DIMENSIONS THAT ARE WRITTEN IN BRACKETS, ARE GIVEN ACCORDING TO THE U.S. MEASUREMENT SYSTEM (IN, LBS, °F)
* IK10 RATING CAN BE ACHIEVED UTILIZING A SPECIAL PRODUCT CONFIGURATION

GENERAL REMARKS ON SAFETY

- READ ALL OF THESE INSTRUCTIONS BEFORE INSTALLATION.
- KEEP ALL OF THE INSTRUCTIONS FOR FUTURE REFERENCE.
- INSTALLATION IS TO BE PERFORMED BY A QUALIFIED CONTRACTOR.
- ALL INSTALLATIONS ARE TO CONFORM TO THE STANDARDS OF THE NATIONAL ELECTRICAL CODE AS WELL AS ALL LOCAL JURISDICTIONAL CODES AND REGULATIONS.
- THE MANUFACTURER ACCEPTS NO RESPONSIBILITY FOR DAMAGE TO PERSONS OR PROPERTY ARISING THROUGH IMPROPER USE OR INSTALLATION.
- FOR WARRANTY CONDITIONS PLEASE CONSULT LOCAL SALES REPRESENTATIVE
- THE LIGHT SOURCE CONTAINED IN THIS LUMINAIRE SHALL ONLY BE REPLACED BY THE MANUFACTURER OR A QUALIFIED PERSON
- THE EXTERNAL FLEXIBLE CABLE OR CORD OF THIS LUMINAIRE IS NOT REPLACABLE; IF THE CORD IS DAMAGED, THE DRIVER BOX UNIT CONTAINING THE CABLE OR CORD CAN BE REPLACED BY THE MANUFACTURER OR A QUALIFIED PROFESSIONAL.

WIRING

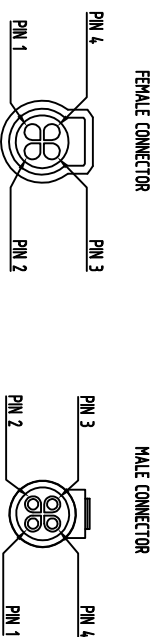
WIRE MARKINGS

OPTION WITH DALI AND DMX CONTROL

- L BROWN WIRE (POS. 1 IN CONNECTOR)
- DATA+ BLACK WIRE (POS. 2 IN CONNECTOR)
- DATA- GRAY WIRE (POS. 3 IN CONNECTOR)
- N BLUE WIRE (POS. 4 IN CONNECTOR)

OPTION WITH 0-10V CONTROL

- L BROWN WIRE (POS. 1 IN CONNECTOR)
- + 0-10V BLACK WIRE (POS. 2 IN CONNECTOR)
- 0-10V GRAY WIRE (POS. 3 IN CONNECTOR)
- N BLUE WIRE (POS. 4 IN CONNECTOR)



INSTALLATION GUIDE

1. ADJUST POSITION OF THE HEMERA HECTO HOLDERS (SEE THE SUGGESTED DISTANCE IN FIXTURE DIMENSIONS, ADJUSTING IS SHOWN IN STEP 1A) AND FASTEN THEM WITH THE SET SCREWS $M_4 \times 6$ SUPPLIED BY MANUFACTURER (STEP 1B)
2. FOR INSTALLATION IN CONCRETE SURFACE MARK THE LOCATION OF MOUNTING HOLES (FIXTURE MOUNTING HOLE SIZE SHOWN IN DETAIL "A") AND DRILL THE HOLES (SUGGESTED HOLE DIAMETER AND DEPTH ARE $\varnothing 9(4,5\text{mm})$ FOR ANCHORS (ANCHORS, SCREWS AND WASHERS M_4 MARINE GRADE ARE SUPPLIED BY MANUFACTURER)
3. INSERT THE ANCHORS IN THE HOLES
4. FASTEN THE HOLDER USING THE WASHER AND SCREW (DIN 571 $M_6 \times 60\text{mm}$ A_4 /MARINE GRADE; FASTEN WITH WRENCH 10mm $(3/8")$), FASTENING TOOL IS NOT SUPPLIED BY THE MANUFACTURER)
5. TILT THE HEMERA HECTO FIXTURE IN THE DESIRED ANGLE
6. APPLY THE HOLDER CAP (STEP 6.A). FASTEN THE SCREW (ISO 14589 $M_4 \times 30\text{mm}$ A_4 /MARINE GRADE; FASTEN WITH HEXALOBULAR T20 TOOL; FASTENING TOOL NOT SUPPLIED BY THE MANUFACTURER) TO SECURE THE FIXTURE AT THE SPECIFIED ANGLE (STEP 6.B)
7. CONNECT THE SUPPLY CABLE TO THE FIXTURE (MAKE SURE THE CONNECTORS MAKE A "CLICK" SOUND UPON CONNECTING)
8. PUT THE ENDCAP ON THE LAST HEMERA HECTO FIXTURE'S CONNECTOR TO SECURE IP PROTECTION

NOTE:

- THE MINIMUM DISTANCE BETWEEN FIXTURES IN THE END TO END APPLICATION IS 5 MM $(0,2")$ (DETAIL "B")

FIGURE DIMENSIONS

