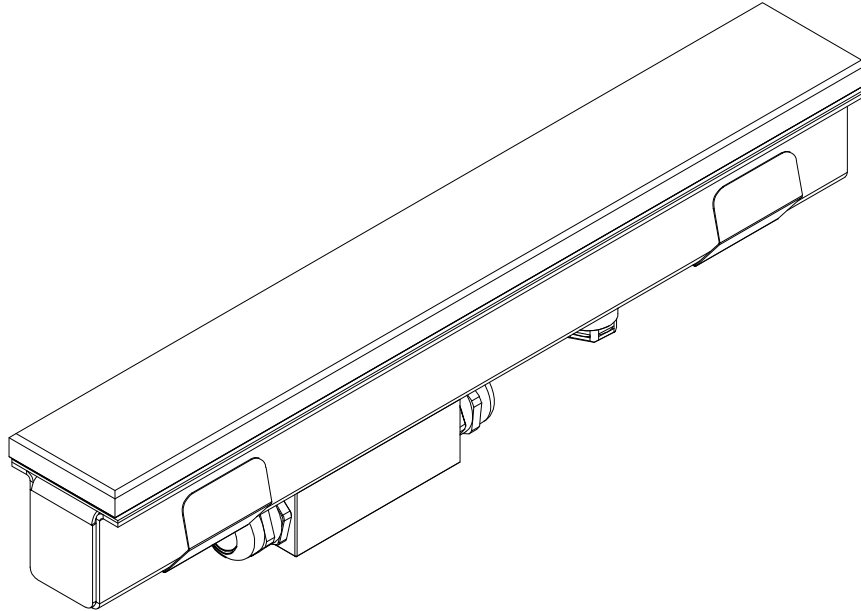


ZERO G FAMILY (ZERO G 174/324/624/1224) INSTALLATION INSTRUCTIONS (FIXTURE)



24 VDC



IP67

AISI304

Ta | 50°C

IK10



15000 N



ALL DIMENSIONS ARE GIVEN ACCORDING TO THE SI SYSTEM OF UNITS (MM, KG, °C), ADDITIONAL DIMENSIONS THAT ARE WRITTEN IN BRACKETS, ARE GIVEN ACCORDING TO THE U.S. MEASUREMENT SYSTEM (IN, LBS, °F)

GENERAL REMARKS ON SAFETY

- READ ALL OF THESE INSTRUCTIONS BEFORE INSTALLING THE HOUSING.
- KEEP ALL OF THE INSTRUCTIONS FOR FUTURE REFERENCE.
- INSTALLATION IS TO BE PERFORMED BY A QUALIFIED CONTRACTOR.
- ALL INSTALLATIONS ARE TO CONFORM TO THE STANDARDS OF THE NATIONAL ELECTRICAL CODE AS WELL AS ALL LOCAL JURISDICTIONAL CODES AND REGULATIONS.
- THE MANUFACTURER ACCEPTS NO RESPONSIBILITY FOR DAMAGE TO PERSONS OR PROPERTY ARISING THROUGH IMPROPER USE OR INSTALLATION.
- FOR WARRANTY CONDITIONS PLEASE CONSULT LOCAL SALES REPRESENTATIVE

WIRE MARKINGS

OPTION WITH SINGLE LED COLOR

- + BLACK WIRE (POS. 1 IN CONNECTOR)
- WHITE WIRE (POS. 3 IN CONNECTOR)

OPTION WITH TUNABLE WHITE COLOR

- + BLACK WIRE (POS. 1 IN CONNECTOR)
- 2200K GREEN WIRE (POS. 2 IN CONNECTOR)
- 4000K WHITE WIRE (POS. 3 IN CONNECTOR)



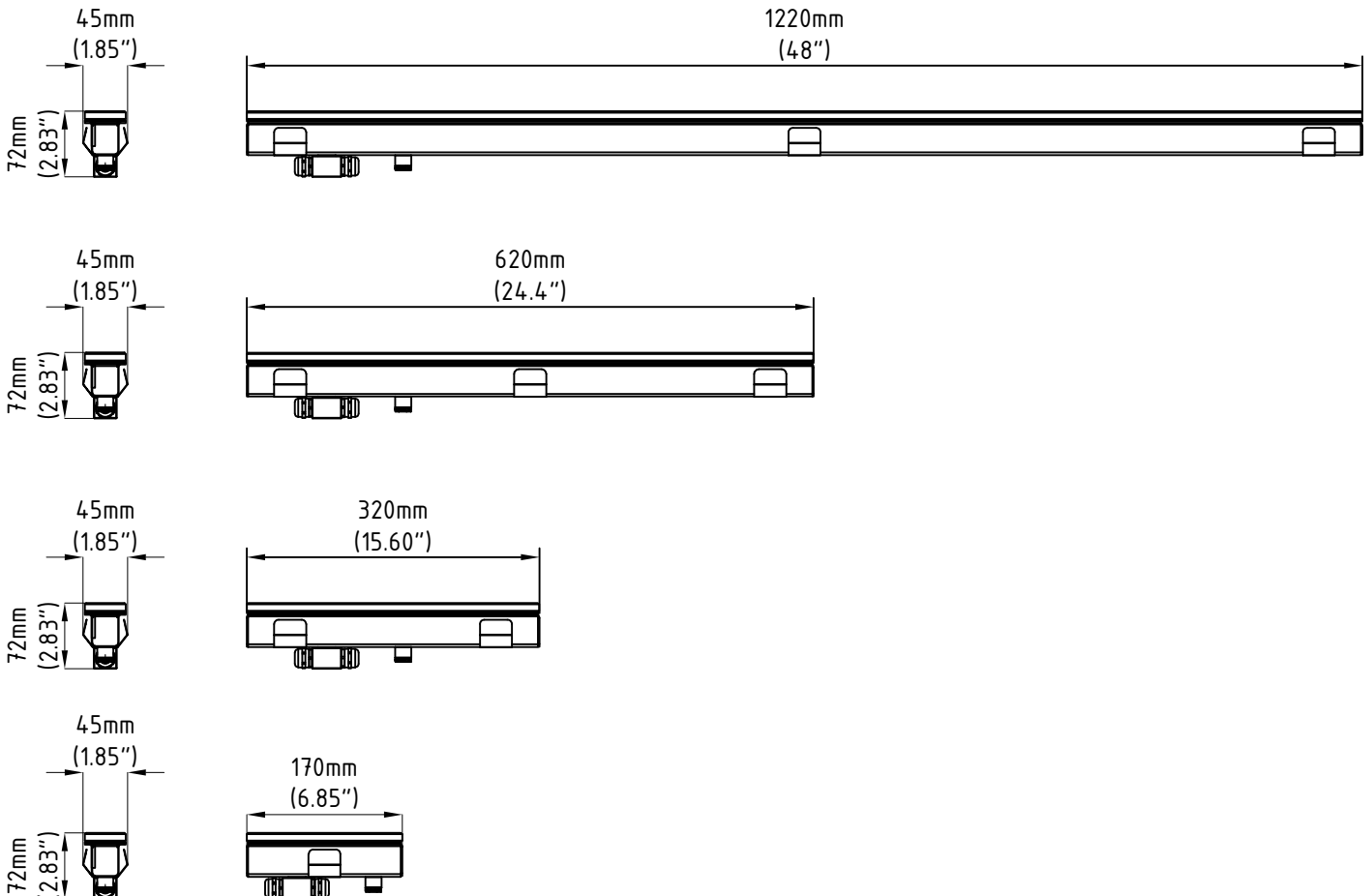
NOTE:

CONTROL GEAR USED TO POWER THIS LUMINAIRE SHALL BE SELV TYPE; HIGHEST ALLOWED U_{out} TO BE MAX 10% OF THE NOMINAL VOLTAGE OF CONTROL GEAR; MAXIMUM ALLOWED WIRING DISTANCE BETWEEN CONTROL GEAR AND LUMINAIRE WITH STANDARD SUPPLIED CABLE IS 9 m OR 30'. INSTALLATION OF LONGER WIRING LENGTHS SHOULD BE DISCUSSED WITH MANUFACTURER PRIOR THE FIXTURE ORDERING.

WHERE LUMINAIRE IS DELIVERED WITH CONNECTING LEADS AND WITHOUT A MEANS OF CONNECTION TO THE POWER SUPPLY TERMINAL BLOCKS MAY BE USED (TERMINAL BLOCKS NOT SUPPLIED BY MANUFACTURER). TERMINAL BLOCKS SHALL BE IN THE SAME IP RATING AS THE LUMINAIRE ITSELF, WITH RATED VOLTAGE OF MIN. 400 V AND RATED CONNECTION CAPACITY OF 10A. CONNECTION WIRE ENDS COMING FROM POWER SUPPLY TO BE PREPARED AS TERMINAL BLOCK MANUFACTURER RECOMMENDS. TERMINAL BLOCK SHOULD BE PLACED IN A LOCATION WHERE IT DOESN'T AFFECT THE LUMINAIRE OPERATION.

ASSEMBLE MALE AND FEMALE CONNECTORS. TO SECURE IP RATING FASTEN THE NUT ON CONNECTOR UNTIL HEAR CLICKING NOISE THAT WILL SIGNAL THE CONNECTOR IS FASTEN AND IP PROTECTED. IT ADVISED THAT CABLE LENGTH IS LONG ENOUGH THAT IT REACHES DRY AREA FOR SPLICE CONNECTION DRY AREA.

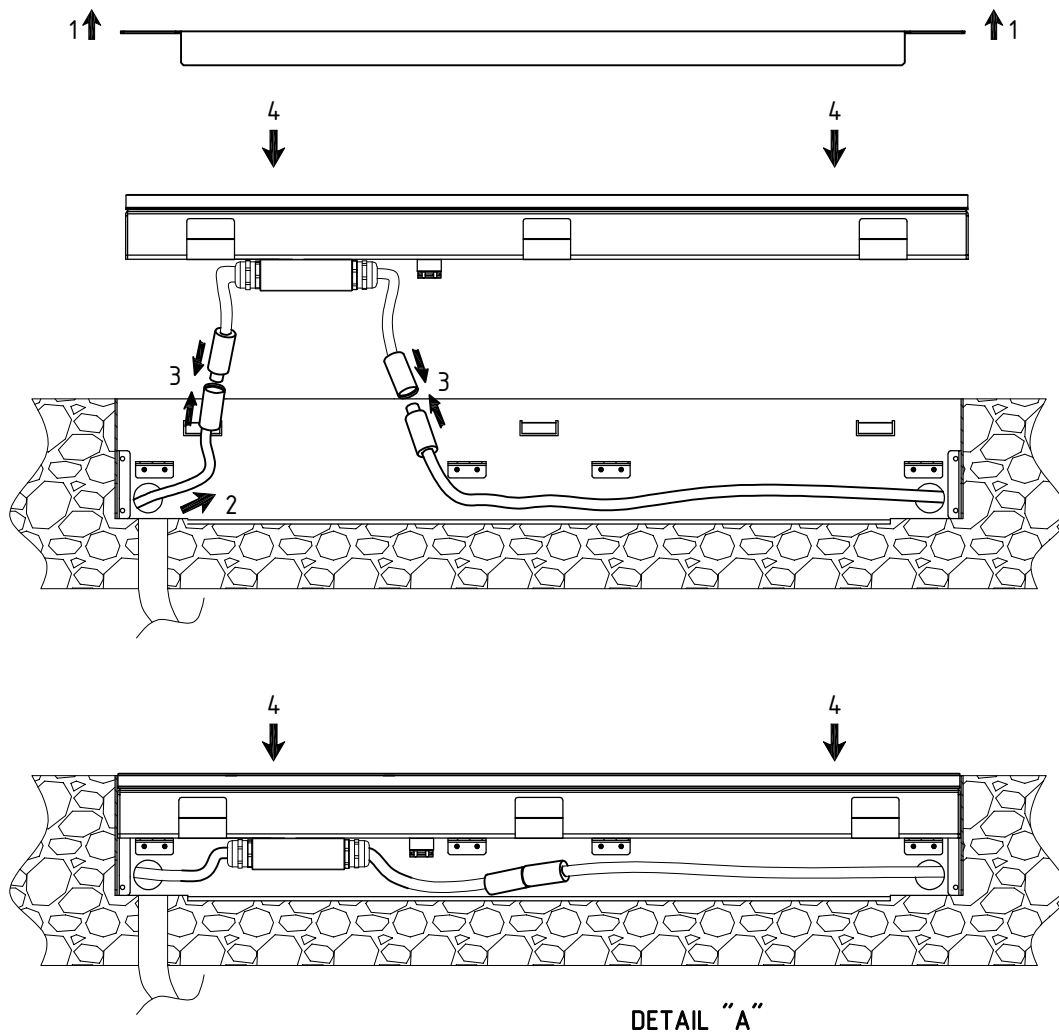
FIXTURE DIMENSIONS



INSTALLATION GUIDE

1. BEFORE INSTALLING THE FIXTURE REMOVE INSTALLATION HOUSING COVER
2. ROUTE THE SUPPLIED FEED CABLE WITH CONNECTOR FROM THE POWER SUPPLY LOCATION TO THE INSTALLATION HOUSING. (CONNECTION TO BE PERFORMED BY QUALIFIED ELECTRICIAN).
3. MAKE THE CONNECTION WITH FIXTURE CABLE (CONNECTOR)
OPTIONAL:
IN END-TO-END CONFIGURATION, CONNECT FIXTURES WITH EACH OTHER OR BY USING JUMPER CABLE.
4. PLACE THE FIXTURE INSIDE THE HOUSING

NOTE:
WHEN MAKING A CONNECTION, PAY ATTENTION THAT FIXTURE CABLE IS ROUTED BELOW THE INSTALLATION HOUSING BRACKETS AS SHOWN IN PICTURE BELLOW.
IN END-TO-END CONFIGURATION LAST FIXTURE IN LINE HAS TO BE EQUIPPED WITH THE END CAP.
IF FIXTURE NEEDS TO BE REMOVED, USE APPROPRIATE TOOL TO PULL OUT THE FIXTURE FROM INSTALLATION HOUSING AS SHOWN IN DETAIL "A" (REMOVAL TOOL, SUPPLIED BY MANUFACTURER BUT MUST BE ORDERED SEPARATELY).



DETAIL "A"

